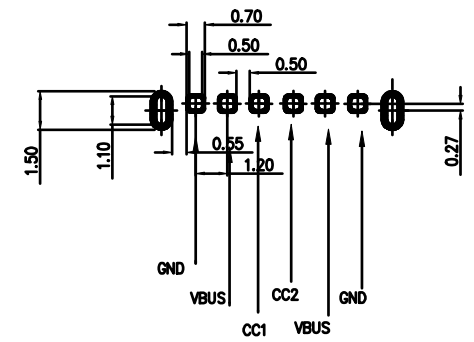
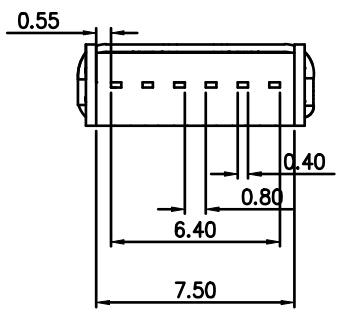
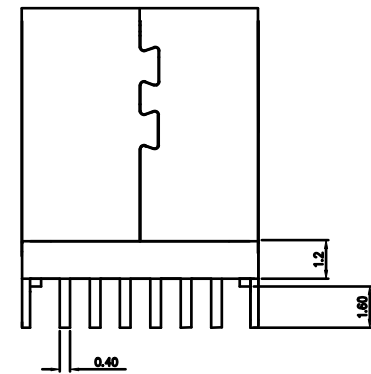
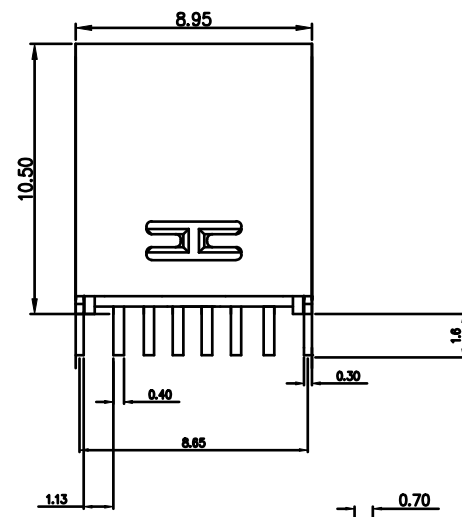
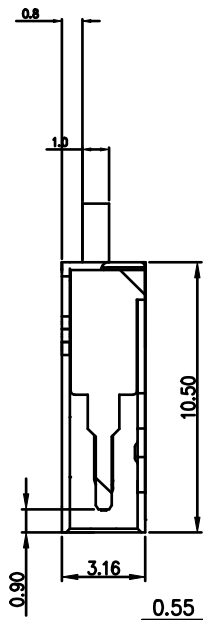
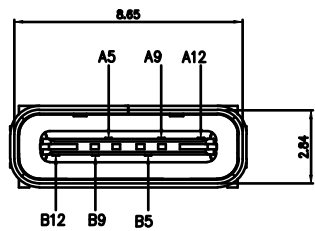


Kinghelm®

REV.	MODIFICATION	ECN No.	NAME	DATE
A0	新版发行		宋红	2019-04-24



RECOMMENDED P.C.B. LAYOUT
TOLERANCE UNSPECIFIED ±0.05mm

B12	GND
B9	VBUS
B5	CC2
A5	CC1
A9	VBUS
A12	GND
PIN	SIGNAL NAME

- NOTES:**
- MATERIAL:**
MOLDING: LCP UL94 V-0
CONTACT: COPPER ALLOY.
GOLD PLATED Min ON CONTACT AREA, 100u"
Min TIN (LEAD FREE) ON SOLDER AREA,
SHELL: COPPER ALLOY C2680, T=0.30±0.03mm
50u" NICKEL PLATING OVER ALL.
 - MECHANICAL:**
INSERTION: 5~20N.
EXTRACTION: 8~20N AFTER TEST.
DURABILITY: 10000 CYCLES
 - ELECTRICAL:**
CURRENT: 3A FOR VBUS;
1.25A FOR GND PIN.
0.25A FOR OTHER.
VOLTAGE: 20 V MAX
WITHSTANDING VOLTAGE: 100V AC R.M.S.
CONTACT RESISTANCE: 40mΩ MAX.
INSULATION RESISTANCE: 100MΩ MIN.
 - ENVIRONMENTAL**
TEMPERATURE RANGE -25°C ~ +85°C
 - 尺寸标注事项:
圆角有标注"R"者为半径, 重点标注尺寸.
 - 产品符合RoHS标准

深圳市金航标电子有限公司		WWW.BDS666.COM	
型号: KH-TYPE-C-L10.5-6P		0755-83044319	
.X: ±0.35	.X': ±1.5°	INTENDED USE: CONNECTOR	TITLE: USB TYPE C 6PIN PLUG 间距±0.5
.XX: ±0.25	.XX': ±1.0°		PART NO.: SEE TABLE
.XXX: ±0.20	.XXX': ±0.5°	APPD.:	DWG. NO.: T16-000X
MAT'L: SEE NOTES		CHKD.:	SCALE: 1:1
FINISH:		DR.: Len.Song	PAGE: 1/1
			UNIT: mm
			REV.: A0