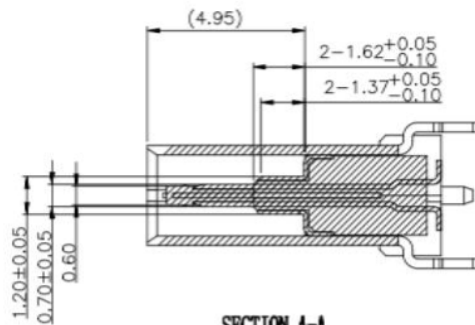
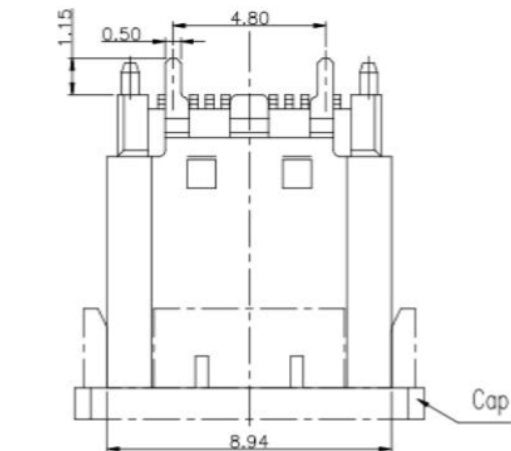


**DRAWING FOR  
CUSTOMER**

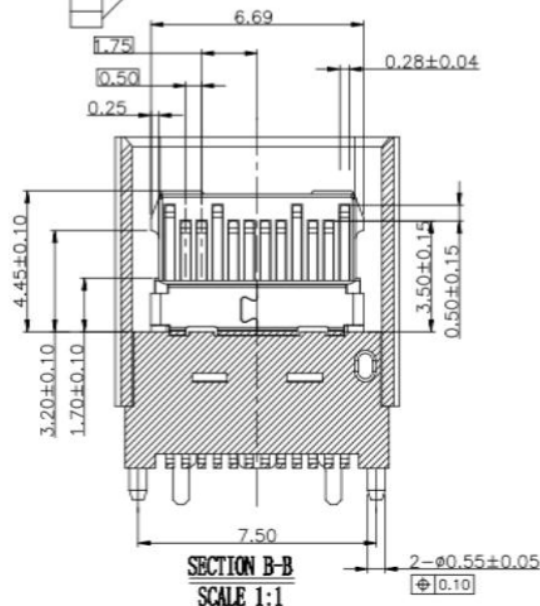
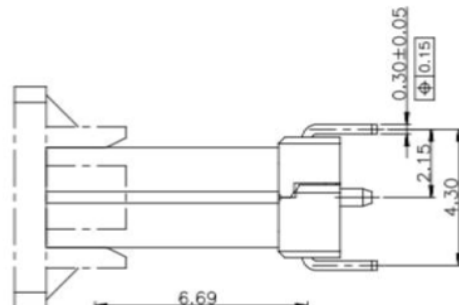
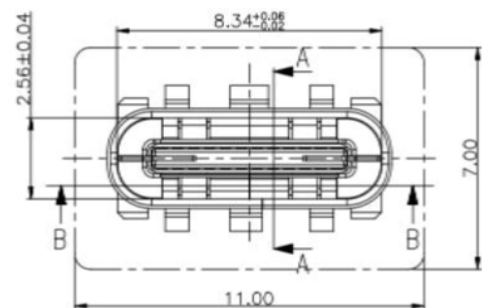
型号: KH-TYPE-C-L9.3-24P

NOTES:

- MATERIAL:  
MOLDING: LCP UL94 V-0  
CONTACT: COPPER ALLOY.  
GOLD PLATED 1u" Min ON CONTACT AREA,  
100u" Min TIN (LEAD FREE) ON SOLDER AREA,  
SHELL: SUS304, 50u" NICKEL PLATING OVER ALL.  
SHILD: SUS304
- MECHANICAL:  
INSERTION: 5~20N.  
EXTRACTION: 8~20N.  
DURABILITY: 10000 CYCLES
- ELECTRICAL:  
CURRENT: 5A MIN FOR VBUS;  
0.25A MIN FOR OTHER.  
VOLTAGE: 5VAC MAX  
WITHSTANDING VOLTAGE: 100V AC.  
CONTACT RESISTANCE: 40mΩ MAX.  
INSULATION RESISTANCE: 100MΩ MIN.
- ENVIRONMENTAL  
TEMPERATURE RANGE -55°C ~ +85°C



SECTION A-A  
SCALE 1:1



SECTION B-B  
SCALE 1:1

深圳市金航标电子有限公司		WWW.BDS666.COM	
型号: KH-TYPE-C-L9.3-24P		0755-83044319	
TOLERANCE: X. ±0.25 X.X ±0.20 X.XX ±0.15 X.XXX ±0.10 X' ±1" X.X' ±0.05"	DRAWN BY : 贺骏驹	DATE : 2015. 12. 03	PART NAME: USB C TYPE FEMALE SMT VERTICAL 9.3 CONNECTOR
 UNIT: mm [inch] SCALE: 1:1 SIZE: A4	CHECKED BY: 赖积任	DATE :	PART NO. H0029-24-Z1-1
	APPROVED BY: 张松强	DATE :	MOLD NO.
			REMARK
			DRAW NO.