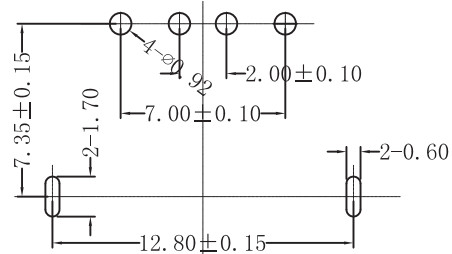
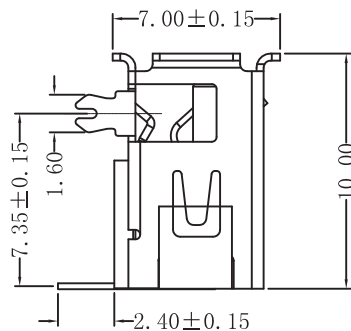
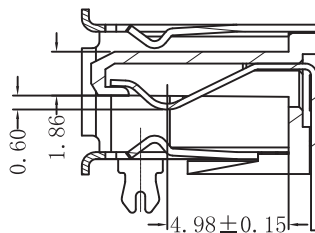
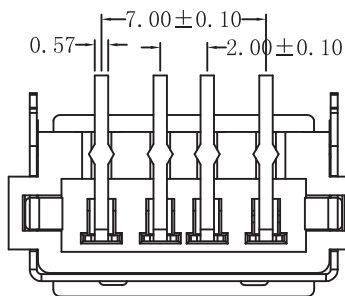
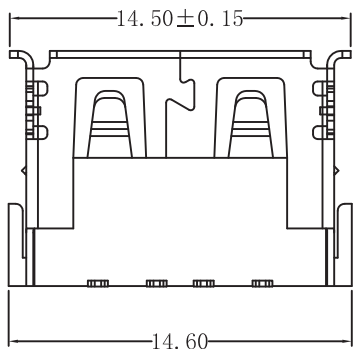
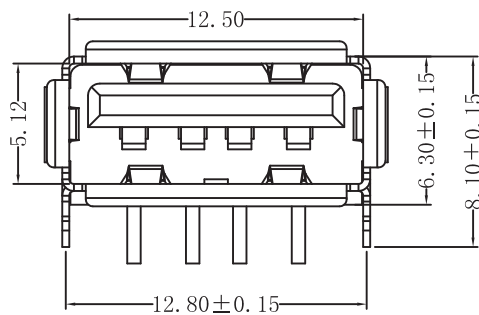


# Kinghelm®



**RECOMMENDED PCB LAYOUT**

REV.	ECN NO	LTR	DESCRIPTION	REVISER	DATE

**规格说明 (Specifications):**

- 1.0 电气特性 (Electrical):
  - 1.1 额定电流 (Current Rating):  
1.5A/Contact Terminal
  - 1.2 额定电压 (Voltage Rating):  
30V DC
  - 1.3 接触阻抗 (Contact Resistance):  
30 Milliohms Max
  - 1.4 耐电压 (Dielectric Withstanding Voltage):  
500 V AC AT Sea Level
  - 1.5 绝缘阻抗 (Insulation Resistance):  
1000MEGA Ohms Min
- 2.0 物理性能 (Mechanical):
  - 2.1 插拔力 (Connector Mate And Unmate Force):  
Mating Force: 3.57kgf (Max)  
Unmating Force: 1.02kgf (Min)
  - 2.2 端子保持力 (Terminal Retention):  
1.2kgf (Min)
- 3.0 原材料 (Material):
  - 3.1 塑胶 (Housing):  
High Temperature Thermoplastics  
UL 94V-0 PBT/LCP White/Black
  - 3.2 端子 (Contact):  
Copper Alloy C2680 T=0.20MM
  - 3.3 外壳 (Shell):  
Copper/Ferro Alloy C2680/SPCC T=0.30MM
- 4.0 电镀 (Finish):
  - 4.1 端子 (Contact):  
Plated Gold in Mating Area  
Sn ≥ 100U" Ni ≥ 40U" Au = 1U" / 3U" / 5U" / ...
  - 4.2 外壳 (Shell):  
Nickel Plating  
12H (Cu ≥ 80U" Ni ≥ 60U")  
24H (Cu ≥ 100U" Ni ≥ 80U")  
48H (Cu ≥ 120U" Ni ≥ 100U")  
...
- 5.0 Dimension marked must be controlled in QIP.

<b>产品图</b> PRODUCT CHART DWG				<b>深圳市金航标电子有限公司</b>			<b>WWW.BDS666.COM</b>		
<b>公差一览表</b> TOLERANCE UNLESS OTHERWISE				<b>KH-AF90QC-10JB-H6.3</b>			<b>0755-83044319</b>		
X.	±0.25	X.	±5.°	单位	MM	制图	制图料号		
.X	±0.20	.X	±2.°	UNITS		DRAWING	PRODUCT PART NO.		
.XX	±0.15	.XX	±1.°	比例	1:1	审核	产品名称		
.XXX	±0.10	.XXX	±0.5°	SCALE		CHKD	PRODUCT NO.		
				日期	2017.03.10	核准	角法	版本	
				DATE		APPD	VIEW	VER	AO

