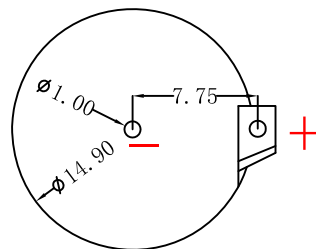
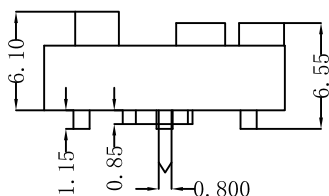
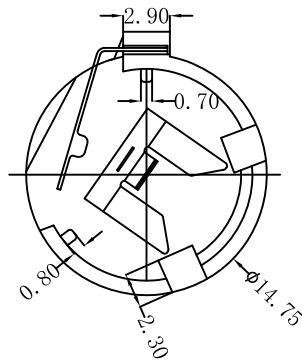
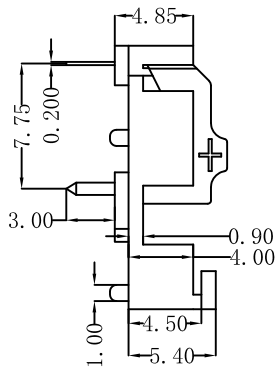


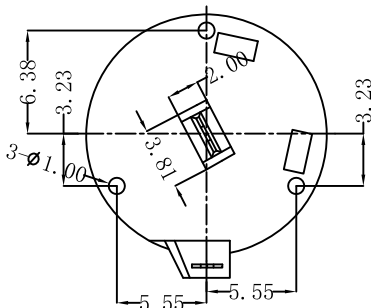


Kinghelm®

REV.	ECN NO.	REVISED	DATE



PCB Layout Diagram  
Top View



NOTE:

1. MATERIAL:

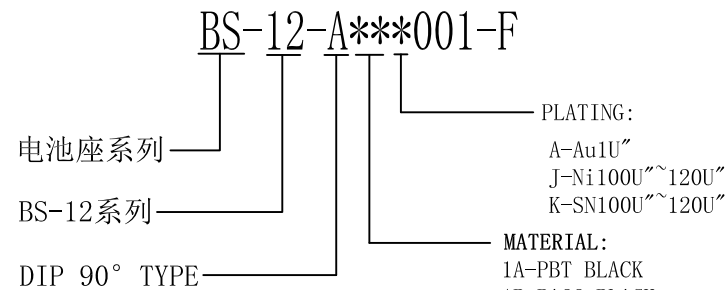
- a. HOUSING: THERMOPLASTIC GLASS FIBRE UL94V-0
  - b. CONTACT: PHOSPHOR BRONZE  
(SURFACE PLATING: Sn100u")
- SEE ORDERING INFORMATION

2. ELECTRIC:

- a. CONTACT RESISTANCE: 30 MILLIOHMS MAX
- b. INSULATION RESISTANCE: 1000 MEGA OHMS MIN
- c. DIELECTRIC VOLTAGE: 500V AC ONE SEC LEVEL
- d. OPERATING TEMPERATURE: -25° C ~ +85° C

### ORDERING INFORMATION

## BS-12-A\*\*\*001-F



3	TERMINAL (-)	1	PHOSPHOR BRONZE, T=0.20MM	Sn-Plating
2	TERMINAL (+)	1	PHOSPHOR BRONZE, T=0.20MM	Sn-Plating
1	HOUSING	1	PBT	BLACK
NO.	PART NAME	Q'TY	MATERIAL	PLATING & COLOR

UNLESS OTHERWISE SPECIFIED TOLERANCES	深圳市金航标电子有限公司		www.kinghelm.com.cn	
	KH-BS1220-1		0755-28190160	
DECIMALS: X : ±0.30 X.X : ±0.25 X.XX : ±0.20 X.XXX : ±0.10	ANGLES: X : ±1° X.X : ±0.5°	SCALE: 1:1	SIZE: A4	VIEW:
		UNIT: mm	REV.: A/0	OBJECT: MY
WEIGHT: 0.4 g	DSND	YangFeng	DATE	2014.11.3
SHEET 1 OF 1	CHKD	ZhouRuicai	DATE	2014.11.3
	APVD	XueZhengy	DATE	2014.11.3
PART NO:		BS-12-A1AK001-F		
TITLE:		BS-1220-1-F反向		