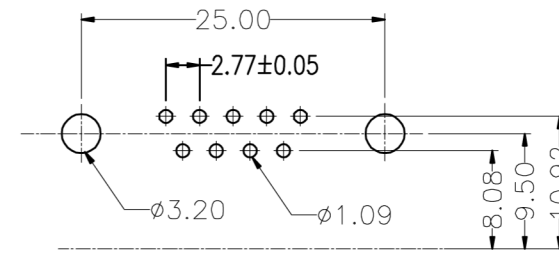
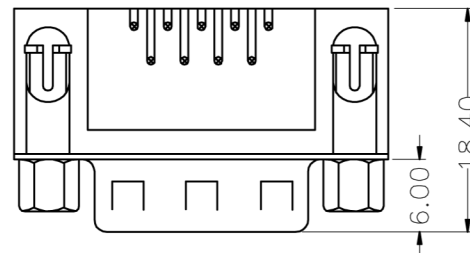
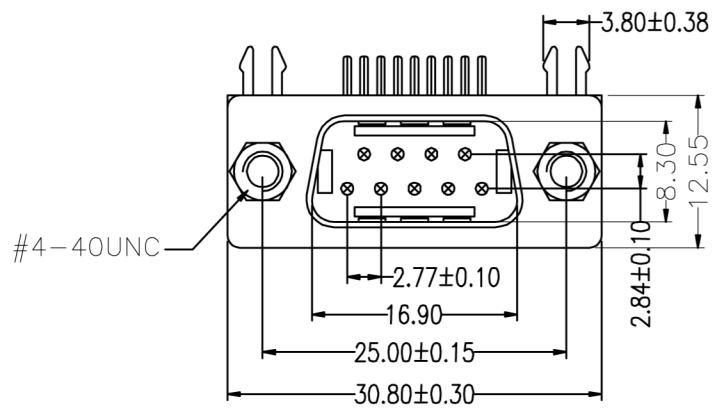


Kinghelm®

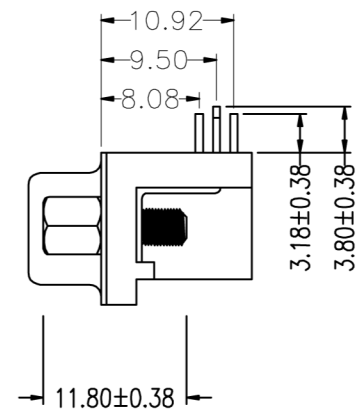
SIDE	DATE	DESCRIPTION	APPROVER
△			
△			



P.C.B. PLYOUT



您正在使用  
ZwCAD 2007 试用版  
详情请查阅WWW.ZwCAD.COM



一、MATERIAL:

- 1.Insulator:PBT+30%Glass Fiber (UL94V-0)
- 2.Contact:Brass
- 3.Contact Plated:Gold Flash over Tin Or Glod Plated Or Tin Plated
- 4.Shell:Steel,Nickel Plated

二、SPECIFICATION:

- 1.Current Rating:5 AMPS
- 2.Insulation Resistance: 5000MΩ MIN. At 500VDC
- 3.Dielectric Strength: 500V for One minute
- 4.Operation Temperature: -55° C~+105° C.

电话(tel)		公差		深圳市金航标电子有限公司	www.kinghelm.com.cn
传真(fax)		0.00±0.25 .000±0.05	0.0°±1.0° .00°±0.5° .000°±0.1°	KH-DR9P-GS8.1	0755-28190160
比例(scale)	1 : 1	日期(date)		单位(units)	mm
图名(name)	图号(draw number)		DR-9P铆锁		
页次(sheet)	A / 1	绘图(draw)		颜色(shaded)	
版次(rev.)	A / 0	审核(ch'k)		料号(Part number)	
视图(view)		核准(app'd)	Ken	处理(finish)	图档(FileName)