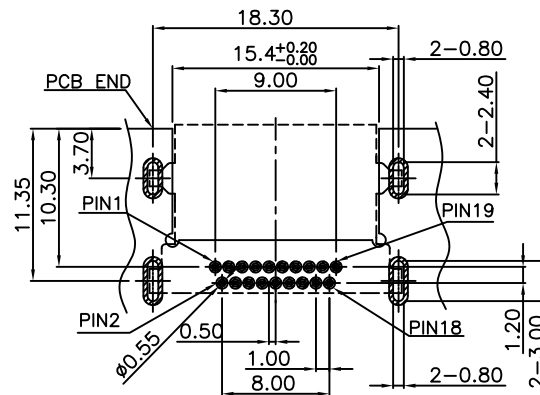
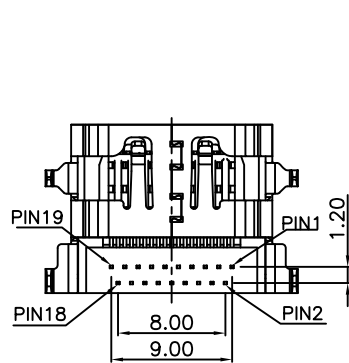
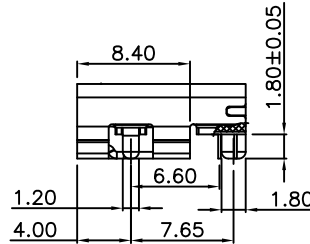
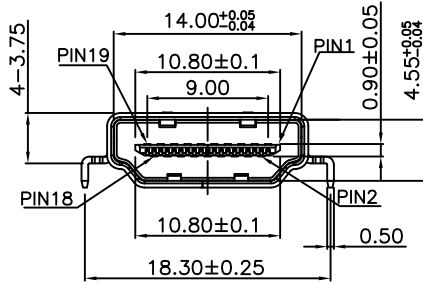
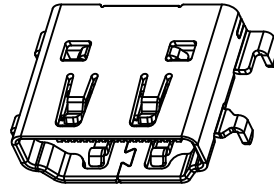
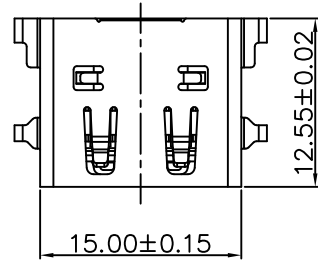


HDMI CONNECTOR FEMALE

Kinghelm®



RECOMMEND PCB LAYOUT
TOLERANCE: ±0.05
TOP VIEW

| REV. | ECN NO. | DESCRIPTION | DATE | DESIGN |
|------|---------|-------------|-----------|--------|
| A0 | | 变更料号 | 2019.7.28 | |

SPECIFICATIONS:

- ELECTRICAL CHARACTERISTICS
 - CURRENT RATING: 0.5 AMP
 - VOLTAGE RATING: 40 V
 - CONTACT RESISTANCE: 30MILLIOHMS MAX
 - INSULATION RESISTANCE: 100M MIN. @ 500V DC
 - DIELECTRIC WITHSTANDING VOLTAGE: 500V AC FOR 1 MINUTE
- MECHANICAL CHARACTERISTICS:
 - INSERTION FORCE : 4.5KGF MAX.
 - WITHDRAWING FORCE : 1KGF ~ 4KGF.
- LIFE TEST: 10000 CYCLES
- OPERATING TEMPERATURE: -25°C TO +85°C
- PART NO. DESCRIPTION:

| | | | |
|-------------------------------|-----------|----------------|--------------------------------------|
| C | SHELL | 1 | C2680R-H Ni T=0.5mm PLATING ALL OVER |
| B | TERMINAL | 19 | C2680R-H SEE PART NO. |
| A | HOUSING | 1 | LCP E130i UL94V-0 BLACK |
| NO | PART NAME | QTY | MATERIAL PLATING & COLOR |
| GENERAL DIMENSIONAL TOLERANCE | | 深圳市金航标电子有限公司 | www.kinghelm.com.cn |
| .X =±0.35 .X' =±2.0' | | KH-HDMI-0030 | 0755-28190160 |
| .XX =±0.25 .X'' =±1.5' | | D.R. | NAME: |
| .XXX=±0.15 .X'''=±1.0' | | PACK 2019.7.28 | HDMI正向沉板铜壳镀镍四脚四反向弹片 |
| PROJECTION | UNIT | CH.K | 壳面有耳 板上高3.75 针长1.8 半金亮锡1u" |
| | mm | JHON 2019.7.28 | PART NO. |
| SIZE A4 | SCALE 1:1 | APV.D | JHON 2019.7.28 |
| | | FILE NO. | SHEET 1 OF 1 REV. A0 |